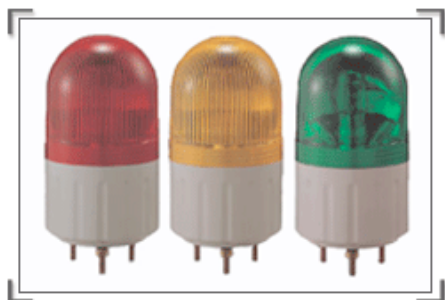


ML SERIES

Miniature Ø66mm Signal Light



- Ø66mm lens diameter
- Rotating, flashing and strobe models
- Stud or pole mounting
- 4 lens colors available
- Various operating voltages
- Incandescent or Xenon bulb

Ordering information

ML G F 110 R
 ① ② ③ ④ ⑤

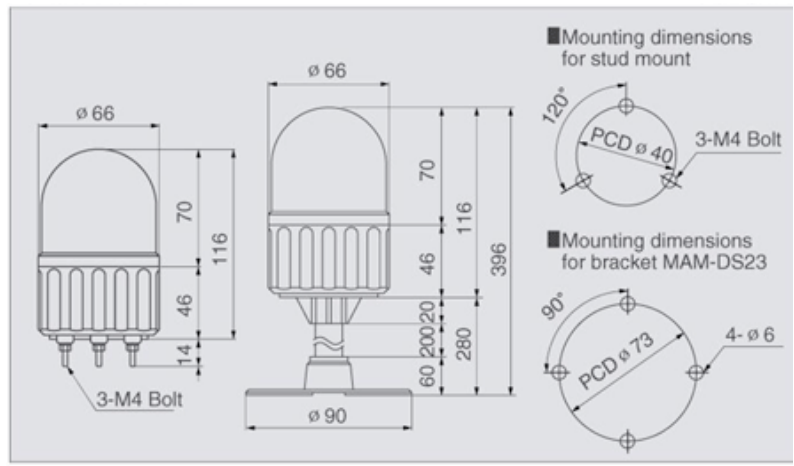
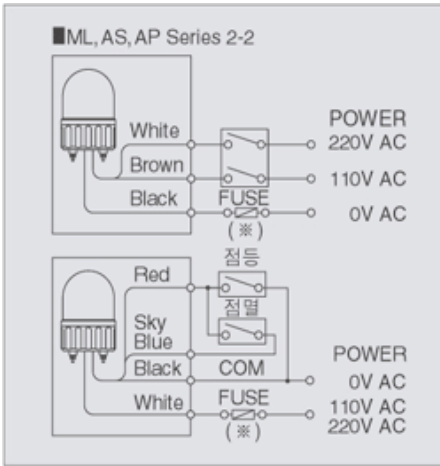
!	ML	Ø66mm Signal Light	\$	12	12 VDC(Except:Strobe type)
”	G	Stud mount		24	24 VDC(Except:Strobe type)
	P	Pole mount		110	110 VAC
#		Rotating mirror		220	220 VAC
	F	Flashing light	%	R	Red lens
	S	Strobe light		G	Green lens
				Y	Yellow lens
				B	Blue lens

Specifications

Series	MLG/MLP	MLGF/MLPF	MLGS/MLPS
Power supply	12 VDC,24VDC,110VAC,220VAC		110VAC,220VAC
Lens type	Smooth type	Prism and Smooth type	
Lens color	Red, Green, Yellow, Blue		
Rotation rate	130 /min		
Flash rate		80 / min	
Internal buzzer	Not available		
Current consumption	12VDC:0.7A 110VAC:0.07A	24VDC:0.3A 220VAC:0.03A	110VAC:0.22A 220VAC:0.11A
Bulb type	Incandescent		Xenon
Bulb voltage and wattage	12VDC:12V 8W 110VAC:110V 8W	24VDC:24V 8W 220VAC:220V 8W	6W
Termination	Wire leads		

Connections

Dimensions



AS SERIES

Standard Ø86mm Sign Light



- Ø86mm lens diameter
- Rotating, flashing and strobe models
- Stud mounting
- 4 lens colors available
- Various operating voltages
- Incandescent or Xenon bulb

Ordering information



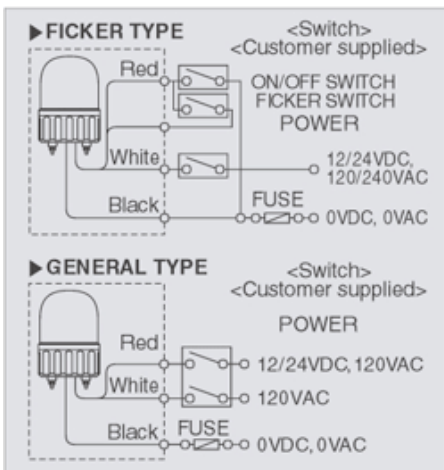
!	AS	Ø86mm Signal Light	\$	12	12 VDC(Except:Strobe type)
"	G	Stud mount		24	24 VDC(Except:Strobe type)
#		Rotating		110	110 VAC
	B	Rotating + buzzer		220	220 VAC
	F	Flashing light		F	110 / 220 / VAC
	S	Strobe light	%	R	Red lens
				G	Green lens
				Y	Yellow lens
				B	Blue lens

Specifications

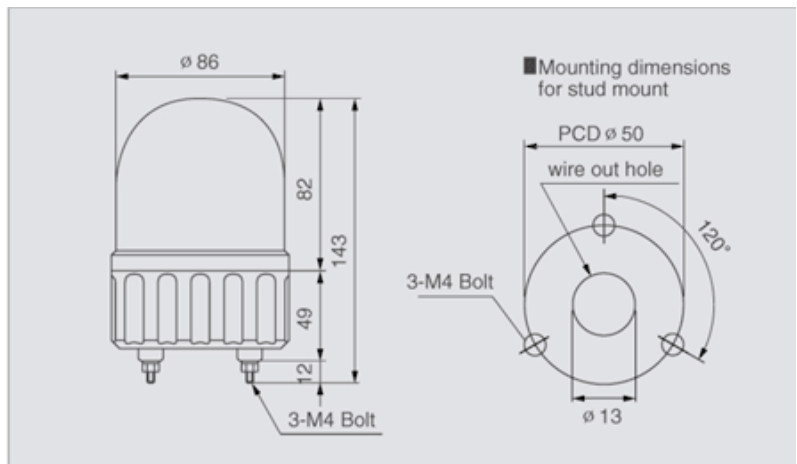
Series	ASG/ASGB	ASGF	ASGS
Power supply	12VDC,24VDC,110/220VAC		110VAC,220VAC
Lens type	Smooth type	Prism type	
Lens color	Red, Green, Yellow, Blue		
Rotation rate	130 /min		
Flash rate	80 / min		

Internal buzzer	available	Not available	
Sound level	80db		
Current consumption	12VDC:0.7A 110VAC:0.07A	24VDC:0.3A 220VAC:0.03A	110VAC:0.22A 220VAC:0.11A
Bulb type	MAB-T15-volt/5W,8W,		Xenon
Line voltage/ Bulb ratings	12VAC:12V 8W 24VAC:24V 8W 110VAC:12V5W 220VAC:12V5W	12VAC:12V 8W 24VAC:24V 8W 110VAC:110V 8W 220VAC:220V 8W	6W
Termination	Wire leads		

Dimensions



Connections



AVG SERIES

Large ϕ 135mm Rotation Signal Light



- ϕ 135mm lens diameter for easy viewing at long distance
- Large rotating mirror
- Available with or without internal buzzer
- Various operating voltages available
- Choice of red, yellow, green or blue lens
- Stud mounting
- ideal for large machines, construction sites, parking systems, etc

Ordering information

AVG **B** **110** **R**
 ① ② ③ ④

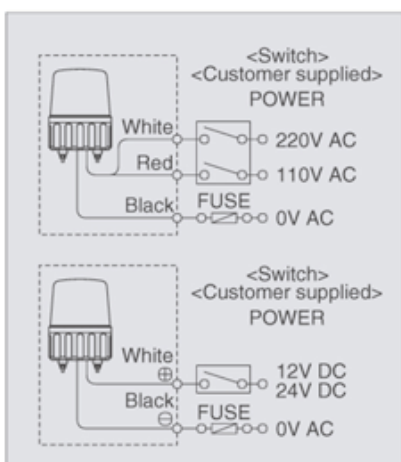
!	AVG	ϕ 135mm Signal Light	#	12	12 VDC
				24	24 VDC
				110	110 VAC
				220	220 VAC
		Rotating		R	Red lens

B	Rotating + buzzer	G	Green lens
		Y	Yellow lens
		B	Blue lens

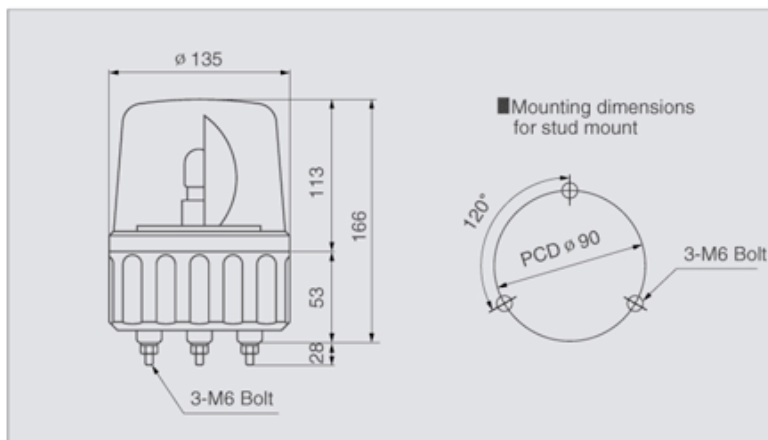
Specifications

Series	AVG	AVGB
Power supply	12 VDC,24VDC,110VAC,220VAC	
Lens type	Smooth type	
Lens color	Red, Green, Yellow, Blue	
Rotation rate	150 /min	
Internal buzzer	Not available	available
Sound level	80db	
Current consumption	12VDC:2.08A 110VAC:0.22A	24VDC:1.04A 220VAC:0.11A
Bulb type	MAB-T15-D-volt/25W	
Bulb voltage and wattage	12VDC:12V 8W 110VAC:110V 8W	24VDC:24V 8W 220VAC:220V 8W
Termination	Wire leads	

Connections



Dimensions



SL SERIES



- Ø86mm lens diameter
- Rotating, flashing and strobe model
- Stud mounting
- 3 lens colors available
- Various operating voltage
- Incandescent or Xenon bulb

Ordering information

SL G F 2 110 R
① ② ③ ④ ⑤ ⑥

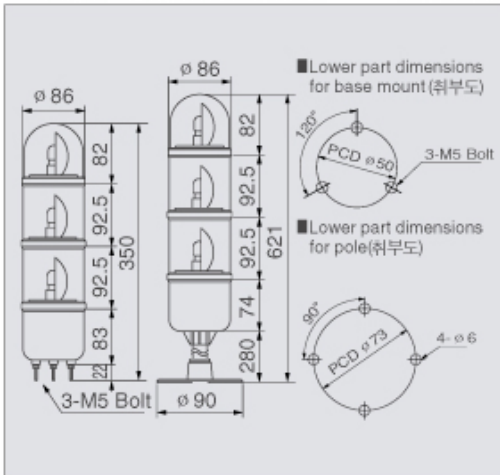
!	SL	Dome top lens series			12	12 VDC
”	G	Stud mount		%	24	24 VDC
	P	Pole mount			110	110 VAC
#		Rotating mirror			220	220 VAC
	F	Flashing light		F	110/220/VAC	
	K	1stack	110VAC,220VAC		R	Red lens
2stack		110VAC,220VAC		G	Green lens	
\$	1	1 Stack		&	Y	Yellow lens
	2	2 Stack			B	Blue lens
	3	3 Stack				

Specifications

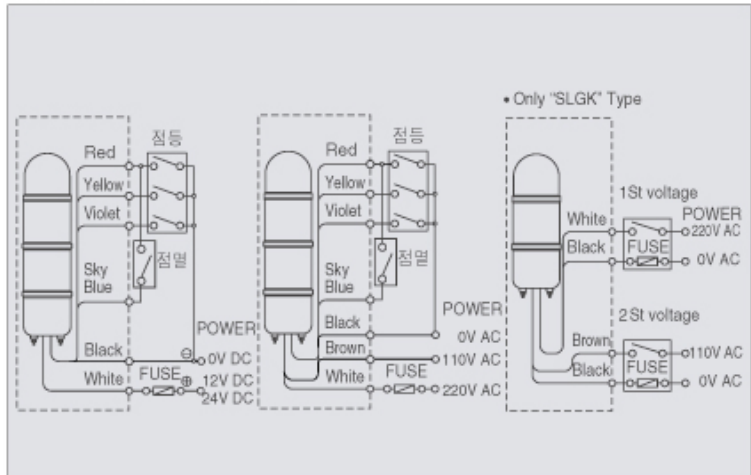
Series	SL		
Model	SLG/SLP	SLGF/SLPF	SLGK/SLPK
Power supply	12VDC,24VDC, 110/220VAC	12VDC,24VDC, 110/220VAC	110VAC,220VAC
Lens type	Smooth type	Prism type	Smooth type
Lens color	Red, Green, Yellow		
Rotation rate	130 /min		130 /min
Flash rate		80/min	
Internal buzzer	Not available		
Current consumption	1Stack 12VDC:0.4A/24VDC:0.3A/110/220VAC:0.07A		110VAC:0.07A/ 220VAC:0.07A
	2Stack 12VDC:0.8A/24VDC:0.6A/110/220VAC:0.14A		110VAC:0.14A/ 220VAC:0.14A
	3Stack 12VDC:1.2A/24VDC:0.9A/110/220VAC:0.2A		
Bulb type	Incandescent		
Bulb voltage and wattage	12V,24V,110V,220V:8W		110V/220VAC:12V5W
	110V/220V:12V5W		
Termination	Wire leads		

Stack	1Stack-3 Stack	1Stack, 2Stack
-------	----------------	----------------

Connections



Dimensions



MSGS SERIES



- Large 126mm dimension lens
- One to five light models
- Uses 25W bulbs for easy viewing at long distance
- Three selectable audio sounds (melody, siren and two tone)
- Audio can be used by itself or with a light
- 5 lens colors available
- 4 operating voltages available

Ordering information

MSGS 220 3 RYG

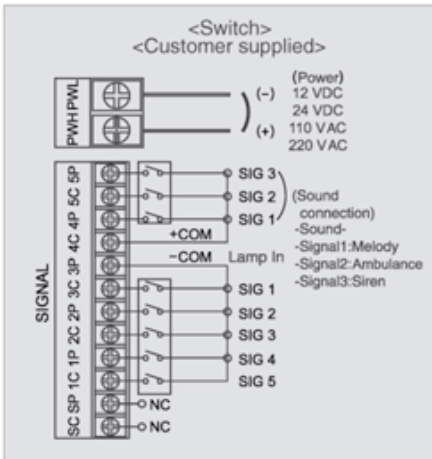
① ② ③ ④

!	MSGS	Rotating Tower Light			
”	12	12 VDC	#	1	1 Stack
	24	24 VDC		2	2 Stack
	110	110 VAC		3	3 Stack
	220	220 VAC		4	4 Stack
				5	5 Stack
			\$	R	Red lens
				G	Green lens
				Y	Yellow lens
				B	Blue lens
				C	Clear lens

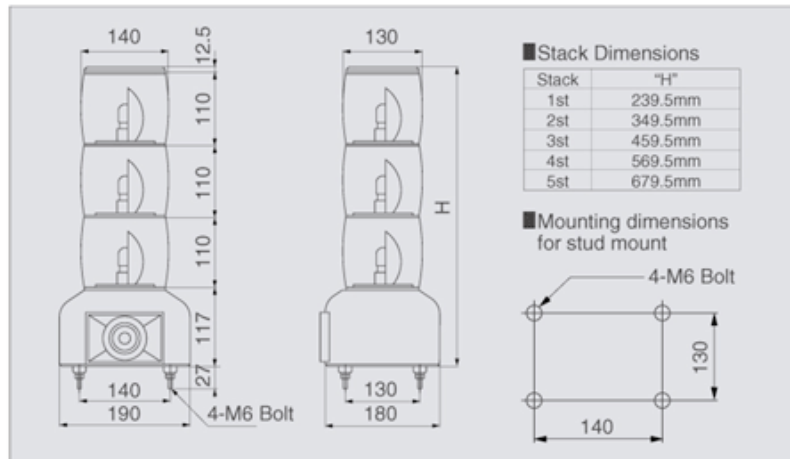
Specifications

Series	MSGS
Power supply	12VDC,24VDC, 110/220VAC
Lens type	Magnified lens
Lens color	Red, Green, Yellow, Blue, Clear
Rotation rate	150 /min
Sound level	100dB/min
Current consumption	12VDC:2.08A 24VDC:1.04A 110VAC:2.08A 220VAC:2.08A
Bulb type	MAB-TI5-D-volt/25W
Bulb voltage and wattage	12VAC:12V25W 24VDC:24V10W 110VAC:12V25W 220VAC:12V25W
Termination	Screw terminals
Sound	Melody, Ambulance, Siren

Connections



Dimensions



MT 5C/8C SERIES



- Prism-cut lenses for superior light distribution
- Internally programmable for steady or flashing operation for each light
- Field wiring with screw terminals or wire leads
- Diverse mounting style available (Order separately, See page 10)
- One to five light models
- Buzzer kit available
- 3 operating voltages available
- 5 lens colors available

Ordering information

MT 5C 3 A L RYG

① ② ③ ④ ⑤ ⑥

!	MT	Series			
”	5C	56mm Flash type	\$	A	24 VAC/DC
	8C	85mm Flash type		B	120 VAC
#	B	Buzzer stack		C	240 VAC
	1	1 Stack(Red)	%	L	Leads out
	2	2 Stack(R+G)		T	Terminals
	3	3 Stack(R+Y+G)	&	R	Red lens
	4	4 Stack(R+Y+G+B)		G	Green lens
	5	5 Stack(R+Y+G+B+C)		Y	Yellow lens
		B		Blue lens	
			C	clear lens	

Specifications

Series	MT 5C	MT 8C
Power supply	24VAC/DC, 120VAC, 240VAC	
IP level	IP 56/UL NEMA 12,3R(Buzzer type NEMA 1R)	
Lens color	Red, Green, Amber, Blue, Clear	
Flash rate	80/min	
Buzzer kit	MPZ 56C	MPZ 85C
Sound level	80 dB	
Current consumption	1 stack	24V:0.4A/120V:0.08A/240V:0.04A
	2 stack	24V:0.8A/120V:0.16A/240V:0.08A
	3 stack	24V:1.2A/120V:0.24A/240V:0.12A
	4 stack	24V:1.6A/120V:0.32A/240V:0.16A
	5 stack	24V:2.0A/120V:0.04A/240V:0.02A
Bulb type	Bayonet base / Double base contact type	
Bulb voltage and wattage	24VAC/DC:24V100W 120VAC:120V10W 240VAC:240V10W	
Termination	Wire leads and terminals	
Approvals	c UL/CE	

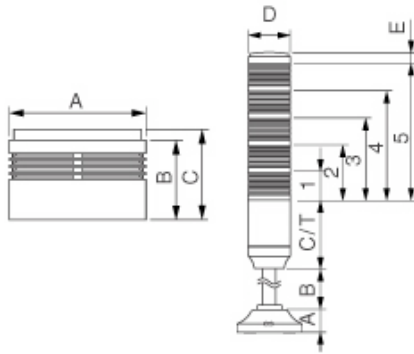
Dimensions

Connections

▷ Buzzer Kit Option

MPZ **56 C**
① ②

!	56	Ø56mm
”	85	Ø86mm
	A	24VAC/DC
	C	120/240/VAC



Catalog No.	A	B	C
MPZ 56c	56	48	54
MPZ 85c	86	50	56

Catalog No.	A	B	C	T	D	E	1	2	3	4	5
MT 5C	29	185	95	173	56	15	68	136	204	272	340
MT 8C	29	185	108	188	86	15	68	136	204	272	240

단별 전선 색상기준은 상측단부터 적용됩니다.
▶ Leads Out Version (전선배출형)

▶ Terminal Board Version (터미널접속형)

▶ Flasher programming (점등/점멸 Mode 사용예)

적용예
5단: 점멸 적용시
4단: 점등 적용시
3단: 점멸 적용시
2단: 점등 적용시
1단: 점등 적용시

MT 4B/5B/8B SERIES



- Prism-cut lenses for superior light distribution
- 4 mounting styles available
- One to five light models
- 4 operating voltage available
- 5 lens colors available
- Inexpensive price

Ordering information

MT 5B 2 A L G RA
① ② ③ ④ ⑤ ⑥ ⑦

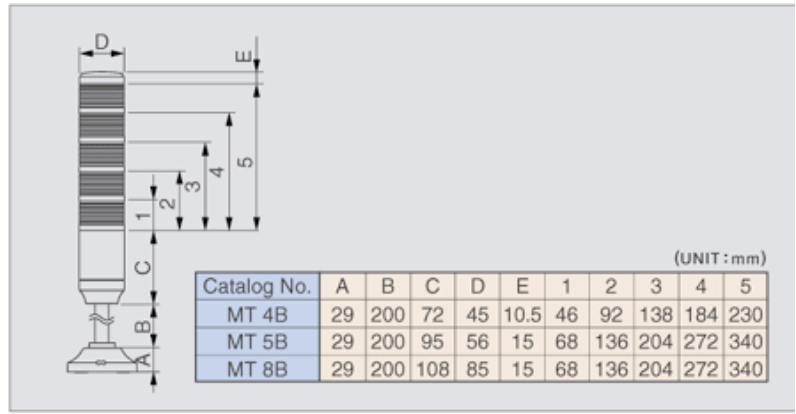
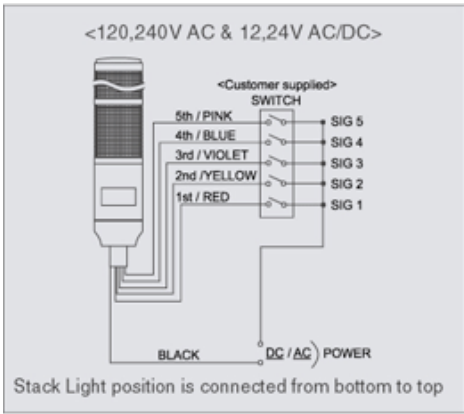
!	MT	Steady Tower Light	%	L	Leady out
”	4B	45mm diameter only Steady function	&	G	No pole type
	5B	56mm diameter only Steady function		P	Pole type
	8B	85mm diameter only Steady function		M	Pole+Screw type
#	1	1 Stack (Red)	’	R	Red lens
	2	2 Stack (Red+Green)		G	Green lens
	3	3 Stack (R+Yellow+G)		A	Amber lens
	4	4 Stack (R+A+G+Blue)		B	Blue lens
	5	5 Stack (R+A+G+B+Clear)		C	Clear lens
\$	D	12VAC / DC			
	A	24VAC / DC			
	B	120VAC			
	C	240VAC			

Specifications

Series	MT 4B	MT 5B	MT MT 8B
Power supply	12 VDC,24VDC,120VAC,240VAC		
IP level	IP 56 / UL NEMA 12,3R(Buzzer type nema 1R)		
Lens color	Red, Green, Yellow, Blue , Clear		
Current consumption	1 Stack	12V:0.4A/24V:0.2A/120V:0.04A/240V:0.02A	12V:0.8A/24V:0.4A/120V:0.08A/240V:0.04A
	2 Stack	12V:0.8A/24V:0.4A/120V:0.08A/240V:0.04A	12V:1.7A/24V:0.8A/120V:0.17A/240V:0.08A
	3 Stack	12V:1.2A/24V:0.6A/120V:0.12A/240V:0.06A	12V:2.5A/24V:1.2A/120V:0.25A/240V:0.12A
	4 Stack	12V:1.6A/24V:0.8A/120V:0.16A/240V:0.08A	12V:3.3A/24V:1.7A/120V:0.33A/240V:0.17A
	5 Stack	12V:2.0A/24V:1.0A/120V:0.2A/240V:0.1A	12V:4.2A/24V:2.1A/120V:0.4A/240V:0.2A
Bulb type	Incandescent bulb Single contact & Bayonet base	Incandescent bulb Double contact & Bayonet baseIn	
Bulb voltage and wattage	12VDC:12V 5W 24VDC:24V 5W 120VAC:120V 5W 240VAC:240V 5W	12VDC:12V 10W 24VDC:24V 10W 120VAC:120V 10W	240VAC:240V 10W
Approvals	c UL / CE (Only 24 VAC/DC, 120VAC, 240VAC)		

Connections

Dimensions



PAE/PME/PRE LED SERIES

Ø25mm/Ø45mm/Ø56mm LED Tower Light



- Prism-cut lenses for even light distribution
- Selectable Base, Pole or Wall bracket mounting
- Steady and flashing models
- 5 stack light color available
- Various operating voltage available
- Buzzer kit(MPZ 56E) adaptable for PRE series
- LED light provide long life and reliability

Ordering information

MT 5B 2 A L G RA
 ① ② ③ ④ ⑤ ⑥ ⑦

!	PAE	Ø25 Tower Light	\$	3	3 Stack (R+Yellow+G)	
	PME	Ø45 Tower Light		4	4 Stack (R+Y+G+Blue)	
	PRE	Ø56 Tower Light		5	5 Stack (R+Y+G+B+Clear)	
”	G	black base(no pole)	%	01	12VAC/DC	
	P	Pole_black base		02	24VAC/DC	
	M	Pole screw+nut(M20)		10	100V ~ 230V (PME), 110V(PRE)	
#	F	flashing(점멸)	20	20	240VAC	
	B	Buzzer(PRE ser적용)		&	R	Red lens
	Z	Flashing light+Buzzer(PRE ser적용)			G	Green lens
\$	1	1 Stack(Red)	Y		Yellow lens	
	2	2 Stack(Red+Green)	B	Blue lens		
			C	Clear lens		

Specifications

Series	PAE series	PME series	PRE series
Power supply	12 VDC,24VDC,120VAC,240VAC		
IP level	IP 56		
Lens color	Red, Green, Yellow, Blue , Clear		
Flash rate	80/min		
PAE series Current consumption	1 Stack	12V:30mA, 24V:25mA	
	2 Stack	12V:65mA, 24V:60mA	
	3 Stack	12V:100mA, 24V:90mA	
	4 Stack	12V:135mA, 24V:120mA	
	5 Stack	12V:170mA, 24V:150mA	
PME series Current consumption	1 Stack	12V:41mA, 24V:27mA, 120V:28mA, 240V:28mA	
	2 Stack	12V:89mA, 24V:57mA, 120V:60mA, 240V:60mA	
	3 Stack	12V: 149mA, 24V:95mA, 120V:99mA, 240V:99mA	
	4 Stack	12V:204mA, 24V:125mA, 120v:131mA, 240V:131mA	
	5 Stack	12V:240mA, 24V:155mA, 120V:163mA, 240v:163mA	
PRE series Current consumption	1 Stack	12V:54mA, 24V:28mA, 110V:25mA, 240V:25ma	
	2 Stack	12V:109mA, 24V:62mA, 110V:57mA, 240V:57mA	
	3 Stack	12V:169mA, 24V:102mA, 110V:91mA, 240V:91mA	
	4 Stack	12V:223mA, 24V:136mA, 110V:124mA, 240V:124mA	
	5 Stack	12V:275mA, 24V:169mA, 110V:155mA, 240V:155mA	
Bulb type	LED Modular		
Buzzer kit	No buzzer	Available MPZ 56E	
Sound level	No buzzer	80dB(85mA)	
Termination	Wire leads		
Approvals	CE		

Dimensions

